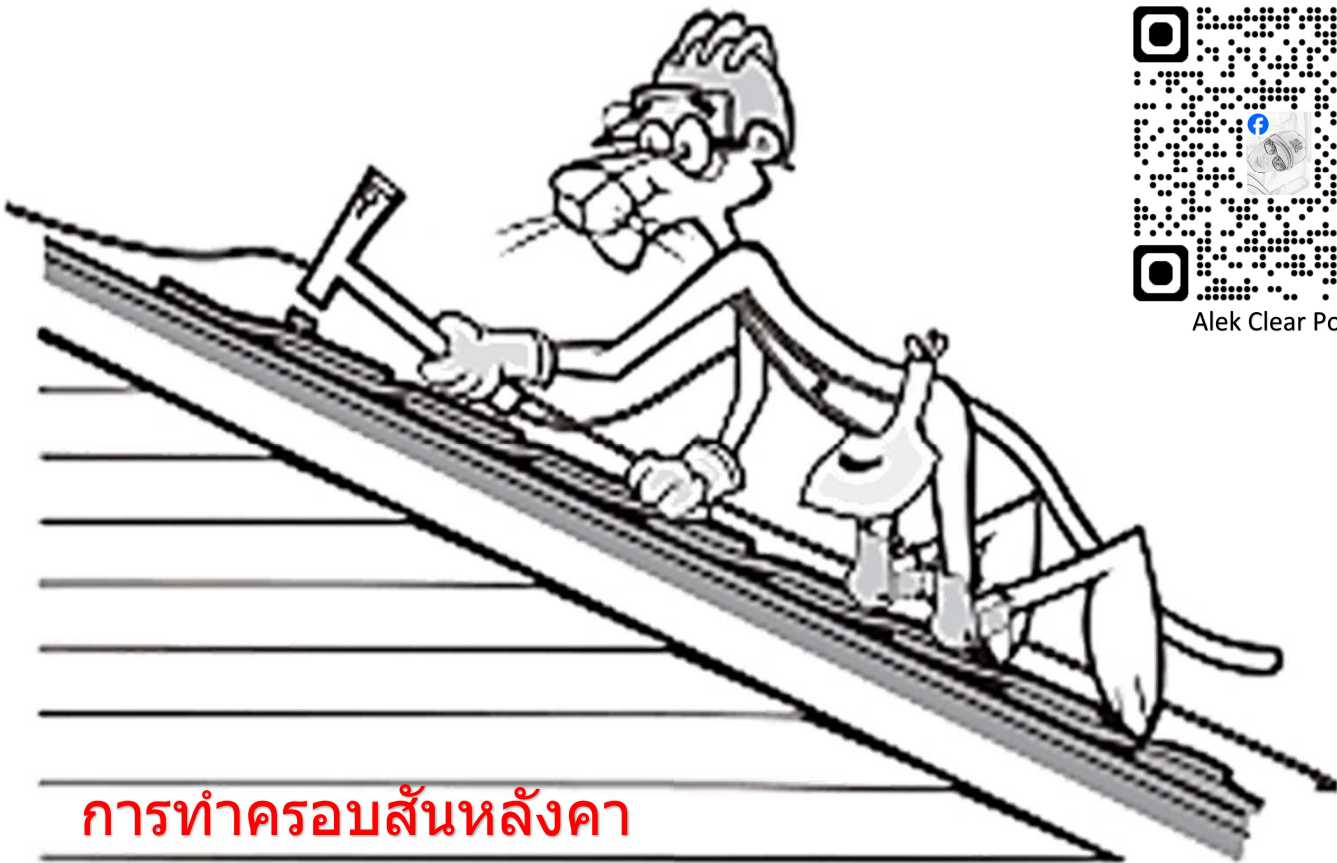
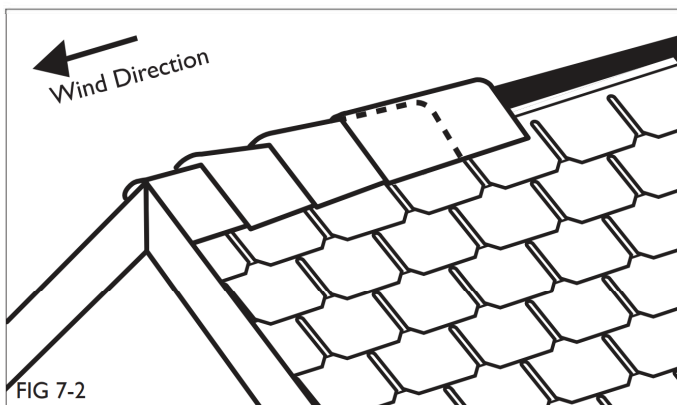




Alek Clear Point

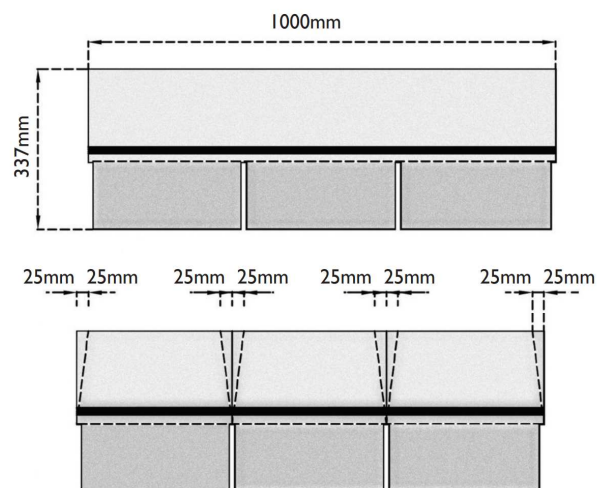


## การทำครอบสันหลังคา



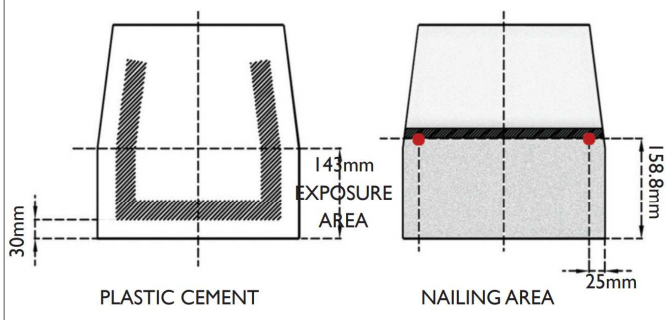
- When applying ridge, ensure that they overlap so that the outer edge is exposed as 133mm (5.23") with the consideration of wind direction. Position nails 160mm (6.29") away from the edge of exposed parts and 25mm (0.98") away from the end of both the left and the right. (Refer to Fig 7-2)

FIG 7

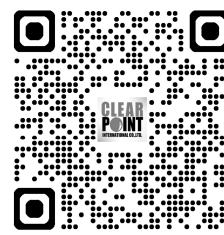


- While applying Hip & Ridge, either use the specified shingle (Hip & Ridge) or make one by cutting a classic shingle into three pieces as above and cutting butts from the back side as shown in the figure above.

FIG 7-1



- Apply plastic cement 3mm (0.11") thick on the bottom, about 300mm (11.81") away from the edge of exposed part as shown in the Fig 7-1.



www.clear-points.com

**CLEAR POINT**  
INTERNATIONAL CO.,LTD.

http://www.clear-points.com  
HOTLINE : 081-912-2823 , 081-131-1188  
Sale LINE ID : 0819122823  
ENG LINE ID : 0819344422

# WWW.CLEAR-POINTS.COM