

GENERAL INSTALLATION GUIDELINES

(Receiving surface

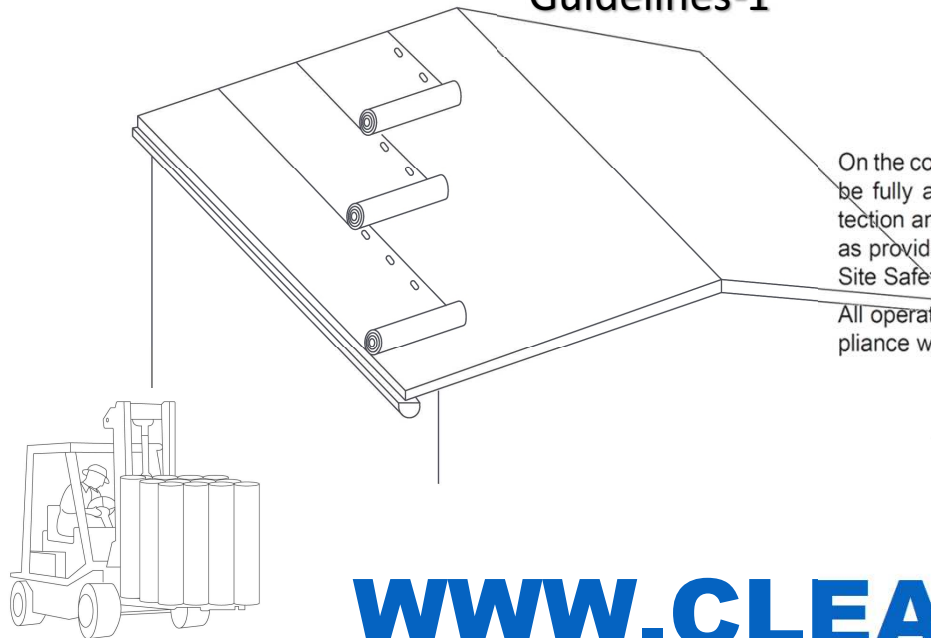
07.01 Receiving surface

The installation of AQUARIUS membranes should be made preferably transversal to the roof gradient line, starting from the eaves and moving upwards to the ridge, with the overlaps that follow the line of water flow.

Sheets shall be overlapped in straight joint lines and secured firmly in place to prevent sagging.

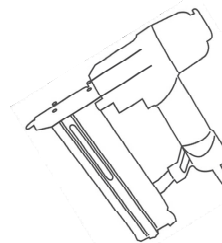
On roofs with steep gradients, ($>20^\circ$) where gravity may emphasize sagging, it is possible to install the sheets following the line of waterflow.

Guidelines-1



On the construction site, all operators must be fully aware of all personal safety protection and accident prevention guidelines as provided by Law and as detailed in the Site Safety Plan.

All operations shall be carried out in compliance with governing safety regulations.



Guidelines-2



WWW.CLEAR-POINTS.COM

